



BODEN

SELF-SERVICE INTEGRAL COUNTER





BODEN

SELF-SERVICE INTEGRAL COUNTER



Benefits & Specifications:

- User-friendly
- Small footprint with compact design
- Easy access and ergonomic design
- Easily adaptable to changes of product
- Ideal for a wide variety of food presentations
- Stand out features for concept building
- Adds dynamic perspective

Dimensions (mm):

Height : 1200

Length : 1875/2500/3750

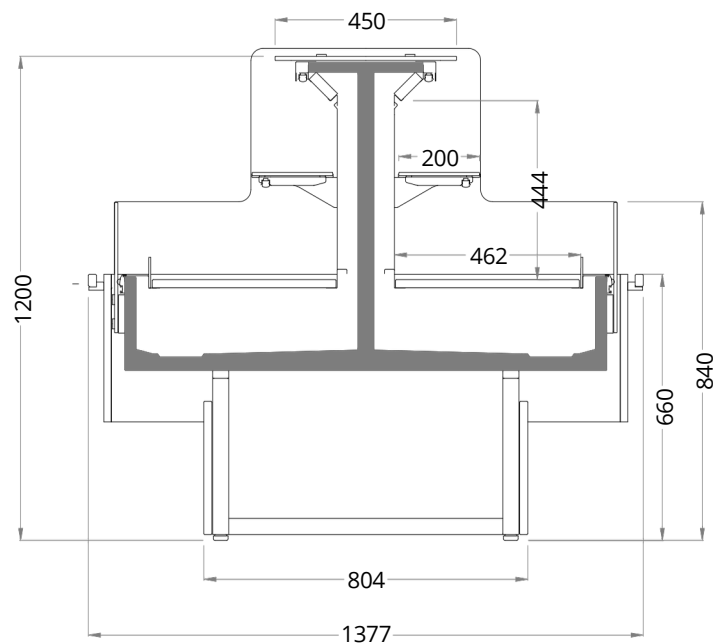
Depth : 1377

SYSTEM	OPERATING TEMP. °C	REFRIGERANT
PLUG-IN	-1 / +1 +2 / +4	HC HFC blend HFC / HFO blend

HC: R290 / R1270 • HFC: R407A / R407F / R134a / R404A • HFC / HFO: R448A / R449A / R452A / R450A

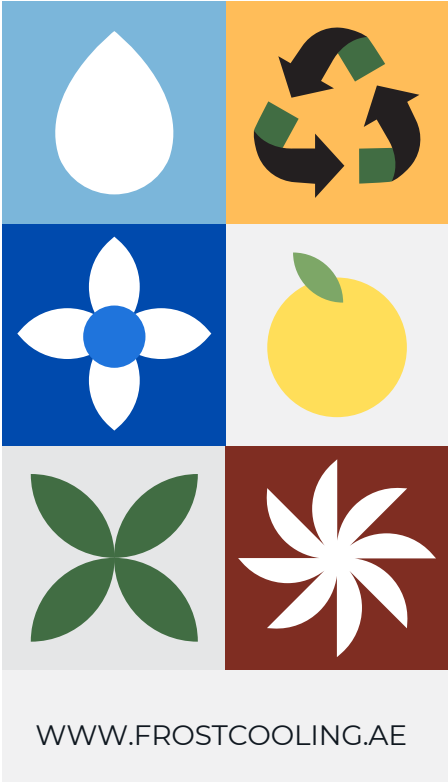


TECHNICAL DATA



BODEN	
Length mm	1875 2500 3750

WHERE QUALITY MEETS RELIABILITY



FROST COOLING TRADING
SALES: +971 58 553 8232
OFFICE: +971 58 520 5232
EMAIL: SALES@FROSTCOOLING.AE