

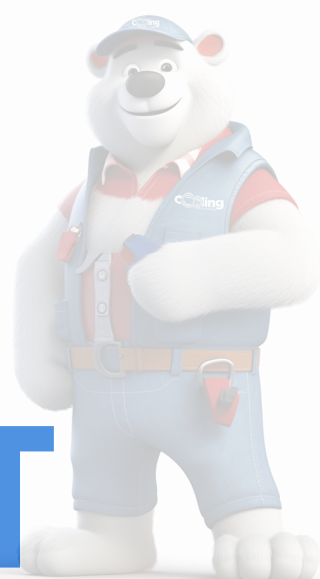


FLORET

SELF - SERVICE PRODUCE INTEGRAL COUNTER

INTEGRAL





FLORET

SELF - SERVICE PRODUCE INTEGRAL COUNTER

INTEGRAL



Benefits & Specifications:

- Mobile plug-in cabinet on castors
- Sloped base deck for produce products merchandised in perforated produce crates
- High product visibility
- Easy access and ergonomic design
- Increased display area
- Simplified maintenance
- Delivers high standard of performance

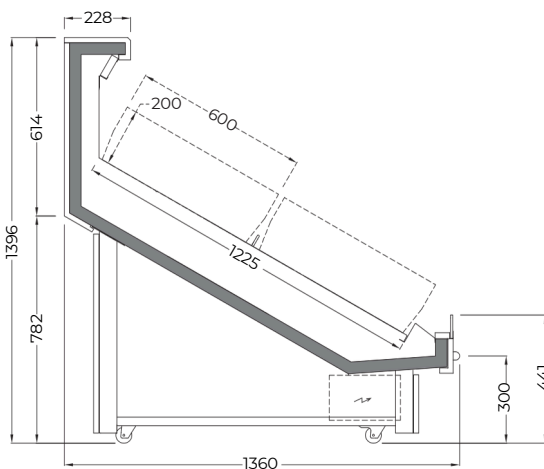
**Floret Integral
Dimensions (mm):**
Height : 1396 Length : 1250
/ 1875 / 2500 Depth : 1360

**Floret Integral with Lids
Dimensions (mm):**
Height : 1514
Length : 1250 / 1875 / 2500
Depth : 1345

SYSTEM	OPERATING TEMP. °C	REFRIGERANT
PLUG-IN	+3 / +5	HC HFC blend HFC / HFO blend

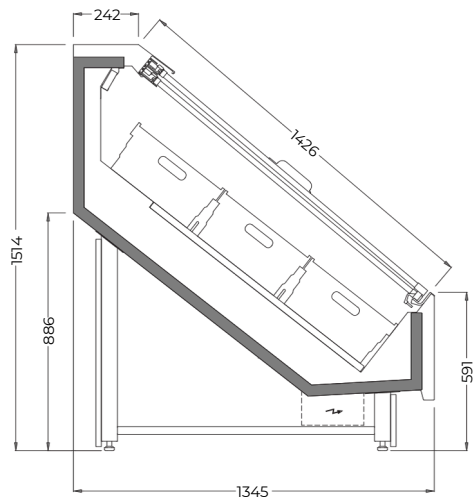
HC: R290 / R1270 • HFC: R407A / R407F / R134a / R404A • HFO: R448A / R449A / R452A / R450A

TECHNICAL DATA



FLORET INTEGRAL

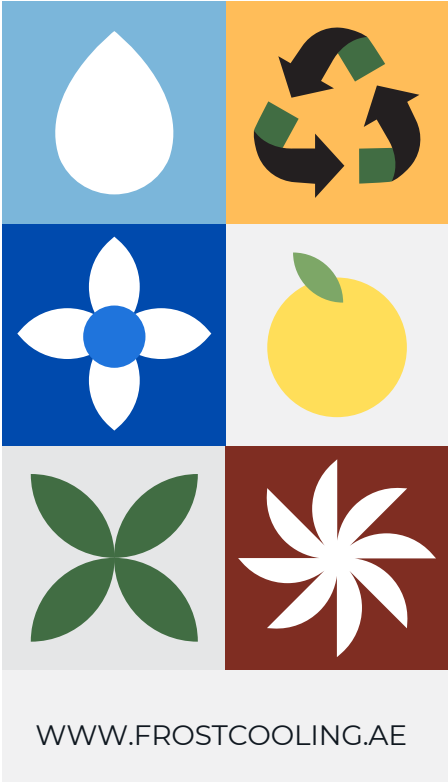
Length mm | 1250 | 1875 | 2500



FLORET INTEGRAL with Lids

Length mm | 1250 | 1875 | 2500

WHERE QUALITY MEETS RELIABILITY



FROST COOLING TRADING
SALES: +971 58 553 8232
OFFICE: +971 58 520 5232
EMAIL: SALES@FROSTCOOLING.AE