



# FROST CG

SELF - SERVICE & SERVE - OVER COUNTER





### Benefits & Specifications:

- Mix and match counters for versatile displays
- Dozens of accessories available
- Built-in durability
- Creative combinations of stone, metal, wood and glass
- Stand out features for concept building
- Energy efficiency combined with utility
- A multi-faceted design platform
- Flushed or tiered shelving for easy service
- Curved or angled styling to optimize floor space
- Clear sight lines

### Dimensions (mm):

Height : 1225 (Serve Over) / 850 (Self Service)

Length :

Run Cabinets : 1250 / 1875 / 2500 / 3750

Corner Cabinets : EC45° / EC90° / IC45° / IC90°

Depth : 1032 / 1150

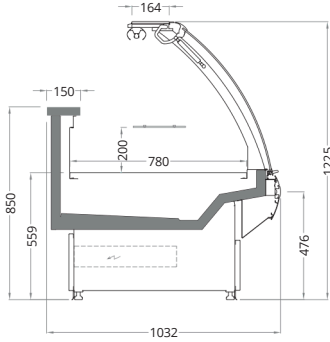
SYSTEM	OPERATING TEMP. °C	REFRIGERANT
REMOTE	-1 / +1 +2 / +4	HFC blend HFC/HFO blend CO <sub>2</sub> Glycol / Water

HFC: R407A / R407F / R134a / R404A • HFC/HFO: R448A / R449A / R452A / R450A  
CO<sub>2</sub>: R744 • GLYCOL/WATER: R718

# TECHNICAL DATA

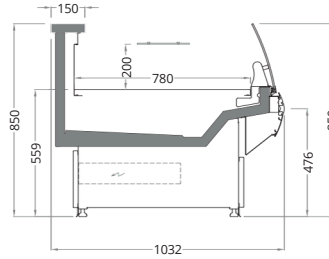
CG: CURVED GLASS / TOP HINGED

FROST CG 780



**FROST CG 780 / 1225 / 1032 / 476 - CG - DL**

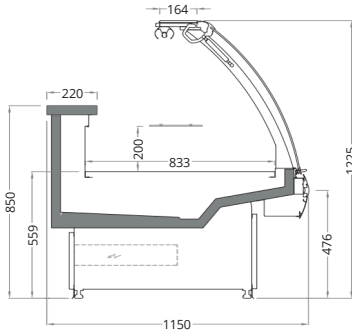
Length mm | 1250 | 1875 | 2500 | 3750



**FROST CG 780 / 1225 / 1032 / 476 - CG - SS**

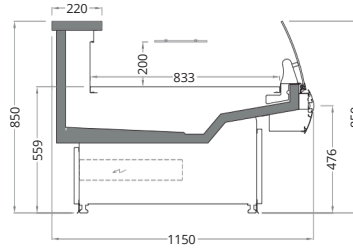
Length mm | 1250 | 1875 | 2500 | 3750

FROST CG 830



**FROST CG 830 / 1225 / 1032 / 476 - CG - DL**

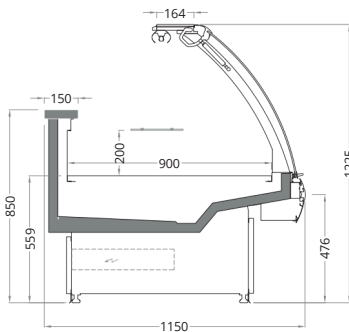
Length mm | 1250 | 1875 | 2500 | 3750



**FROST CG 830 / 1225 / 1032 / 476 - CG - SS**

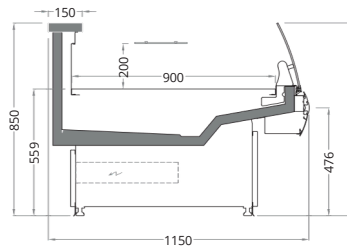
Length mm | 1250 | 1875 | 2500 | 3750

FROST CG 900



**FROST CG 900 / 1225 / 1032 / 476 - CG - DL**

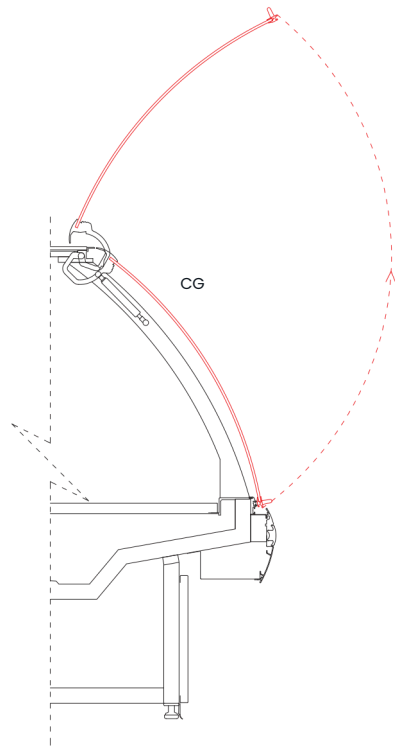
Length mm | 1250 | 1875 | 2500 | 3750



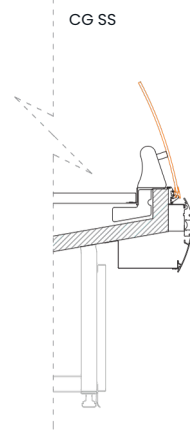
**FROST CG 7900 / 1225 / 1032 / 476 - CG - SS**

Length mm | 1250 | 1875 | 2500 | 3750

## FROST CG SERVE-OVER COUNTERS FRONT GLASS TYPES

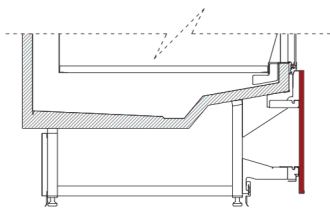


CG: C URVED GLASS, TOP HINGED

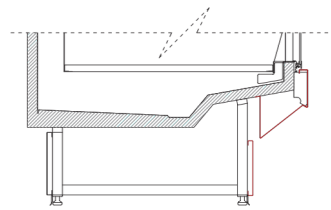


CG SS: CURVED GLASS, SELF-SERVICE

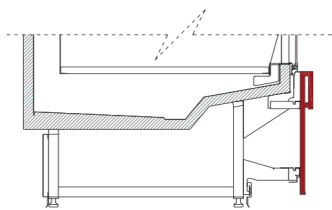
## FROST CG FASCIA PANEL & FOOT TYPES



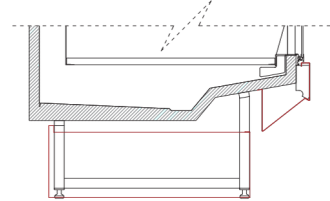
TP: FLAT FRONT FASCIA PANEL



B: FOOT ASSEMBLY (CLOSED BOTTOM)

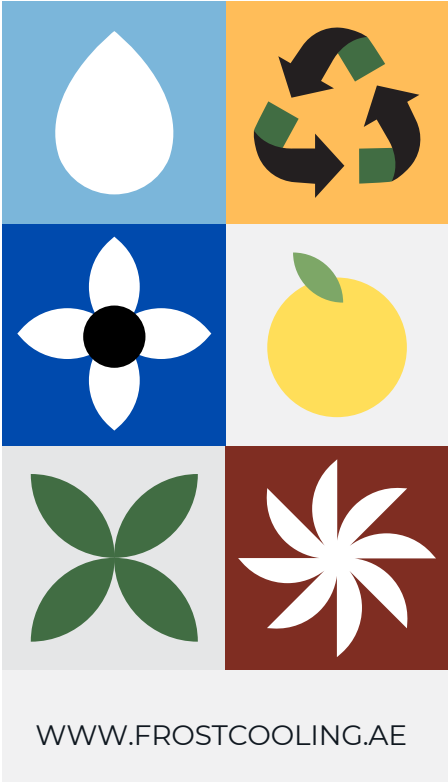


YP: HALF LOWER FRONT FASCIA PANEL



BA: FOOT ASSEMBLY (OPEN BOTTOM)

# WHERE QUALITY MEETS RELIABILITY



**FROST COOLING TRADING**  
SALES: +971 58 553 8232  
OFFICE: +971 58 520 5232  
EMAIL: SALES@FROSTCOOLING.AE