



# FROST CONVERTIBLE

SERVE - OVER & SELF - SERVICE COUNTER



### Benefits & Specifications:

- Inspired designers, dedicated builders
- Quickly transforms from self-service to serve-over
- Dual purpose cabinets
- Flushed or tapered shelving
- Curved or angled styling for concept building

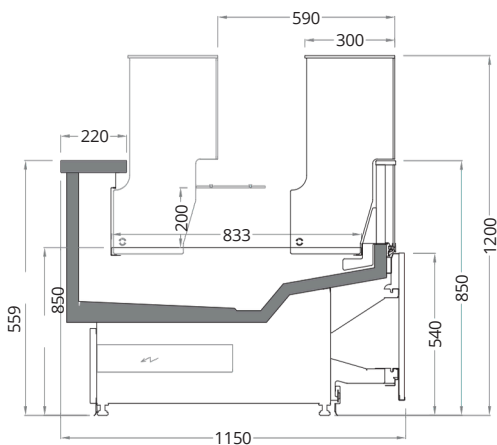
### Dimensions (mm):

Height : 1200  
 Length : 1250 / 2500 / 3750  
 Depth : 1150

SYSTEM	OPERATING TEMP. °C	REFRIGERANT
REMOTE	-1 / +1 +2 / +4	HFC blend HFC/HFO blend CO <sub>2</sub> Glycol / Water

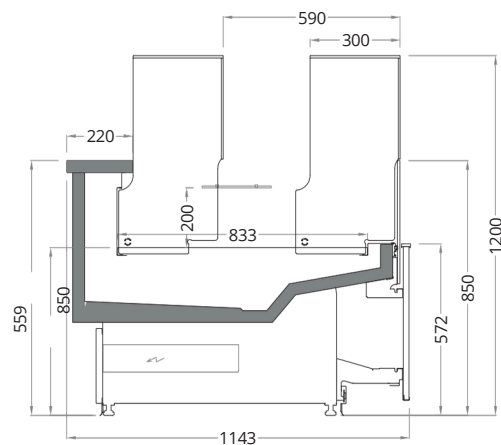
HFC: R407A / R407F / R134a / R404A • HFC/HFO: R448A / R449A / R452A / R450A  
 CO<sub>2</sub>: R744 • GLYCOL/WATER: R718

## TECHNICAL DATA



**FROST CONVERTIBLE 830 / 1200 / 1150 / 540-SQ-AA**

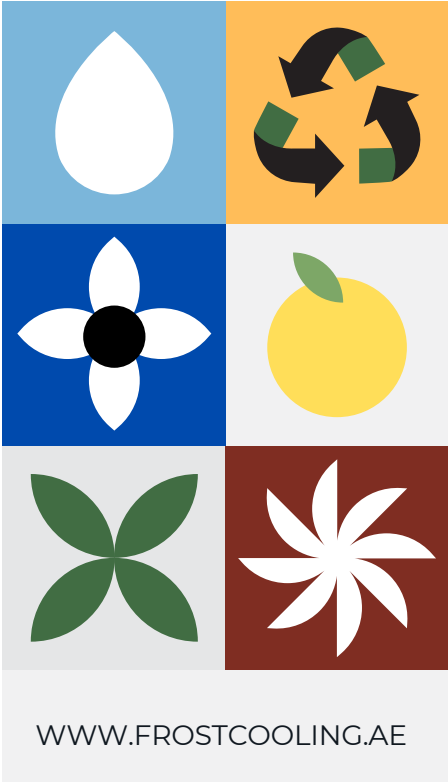
Length mm | 1250 | 2500 | 3750



**FROST CONVERTIBLE 830 / 1200 / 1150 / 540-SQ-D**

Length mm | 1250 | 2500 | 3750

# WHERE QUALITY MEETS RELIABILITY



**FROST COOLING TRADING**  
SALES: +971 58 553 8232  
OFFICE: +971 58 520 5232  
EMAIL: SALES@FROSTCOOLING.AE