



# FROST MEAT

STATIC SERVE - OVER COUNTER





### Benefits & Specifications:

- Flushed or tiered shelving for easy service
- Easily adaptable to seasonal needs
- Small footprint with increased display area
- Ideal for a wide variety of food & beverage presentations

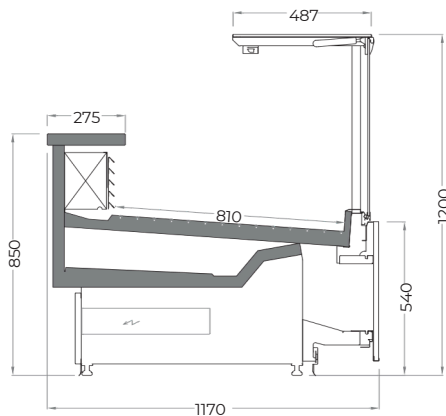
### Dimensions (mm):

Height : 1200 (SQ) / 1225 (CG)  
 Length : 1250 / 1875 / 2500 / 3750  
 Depth : 1170(SQ) / 1195 (CG)

SYSTEM	OPERATING TEMP. °C	REFRIGERANT
REMOTE	-1 / +1	HFC blend HFC/HFO blend

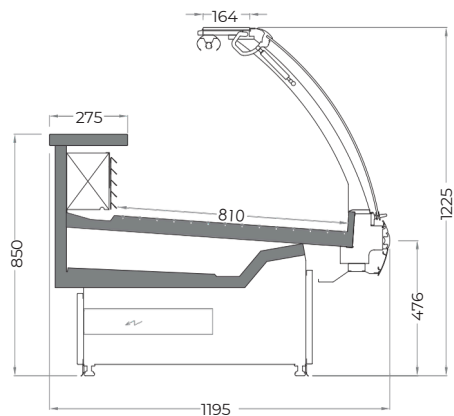
HFC: R407A / R407F / R134a / R404A • HFC/HFO: R448A / R449A / R452A / R450A

## TECHNICAL DATA



**FROST 810 / 1200 / 1170 / 540 - SQ - AA - ST - MEAT**

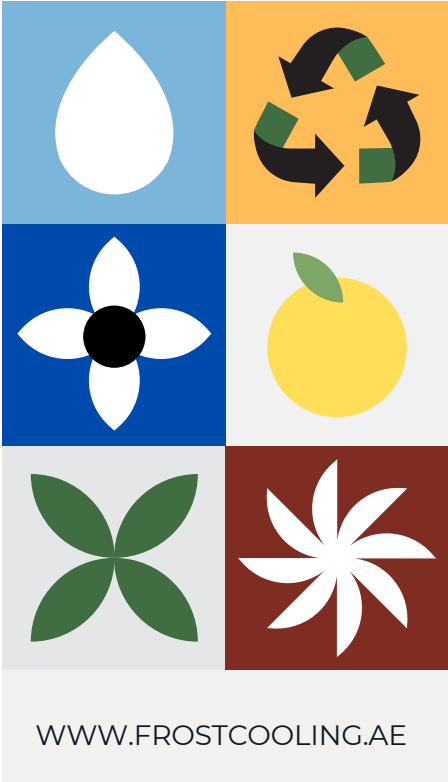
Length mm | 1250 | 1875 | 2500 | 3750



**FROST 810 / 1200 / 1195 / 540 - CG - AA - ST - FG- MEAT**

Length mm | 1250 | 1875 | 2500 | 3750

# WHERE QUALITY MEETS RELIABILITY



**FROST COOLING TRADING**  
SALES: +971 58 553 8232  
OFFICE: +971 58 520 5232  
EMAIL: SALES@FROSTCOOLING.AE