



KYROS

GLASS

FROZEN WELL ONLY CABINET





Benefits & Specifications:

- Small footprint with compact design
- Easy access and ergonomic design
- Fully configurable to different concepts
- A compact design with multiple refrigerant options
- Easily adaptable to seasonal needs
- Designed for modular configurations
- Practical designs for simple installation and maintenance
- Easily adapted to retrofit projects
- Low operating costs

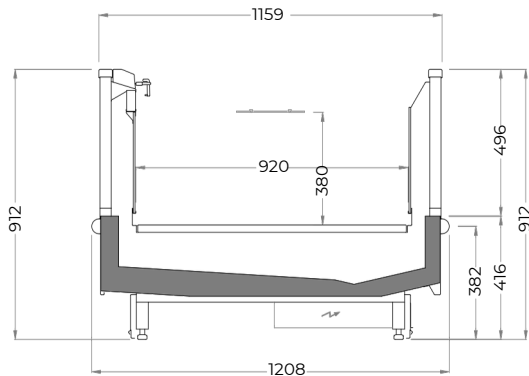
Dimensions (mm):

Height : 912
 Length : 1875 / 2500 / 3750
 Depth : 1208

| SYSTEM | OPERATING TEMP. °C | REFRIGERANT |
|--------|--------------------|-------------------------------------|
| REMOTE | -22 / -24 | HFC blend HFC / HFO blend CO2 |

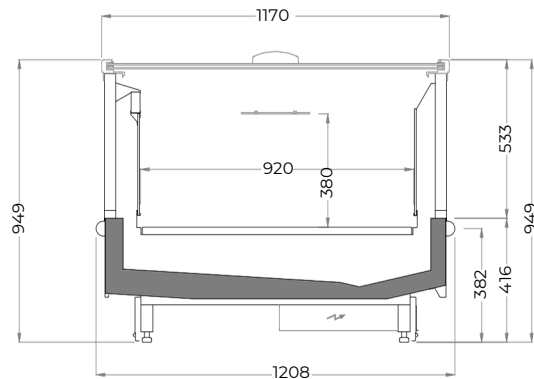
HFC: R407A / R407F / R404A • HFC / HFO: R448A / R449A / R452A • CO2: R744

TECHNICAL DATA



KRYOS GLASS w/o LIDS

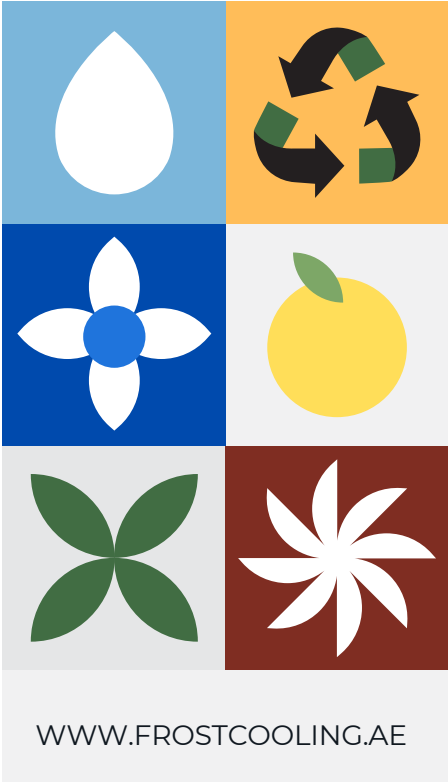
Length mm | 1875 | 2500 | 3750



KRYOS GLASS with LIDS

Length mm | 1875 | 2500 | 3750

WHERE QUALITY MEETS RELIABILITY



FROST COOLING TRADING
SALES: +971 58 553 8232
OFFICE: +971 58 520 5232
EMAIL: SALES@FROSTCOOLING.AE