



NIVO FROST

GRAB & GO

SELF - SERVICE COUNTERS



Benefits & Specifications:

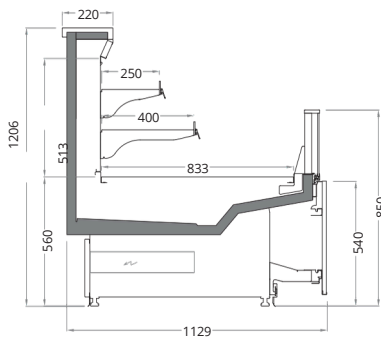
- Small footprint with compact design
- Ideal for a wide variety of food presentations
- Easily adaptable to seasonal needs
- Accessible and ergonomic

Dimensions (mm):

Height : 1206 / 1220 / 1500
 Length : 1250 / 1875 / 2500 / 3750
 Depth : 1129

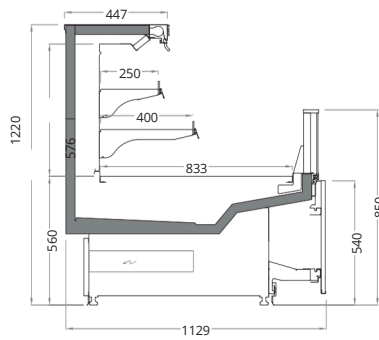
SYSTEM	OPERATING TEMP. °C	REFRIGERANT
REMOTE	-1 / +1 +2 / +4	HFC blend HFC/HFO blend CO ₂ Glycol / Water

HFC: R407A / R407F / R134a / R404A • HFC/HFO: R448A / R449A / R452A / R450A
 CO₂: R744 • GLYCOL/WATER: R718



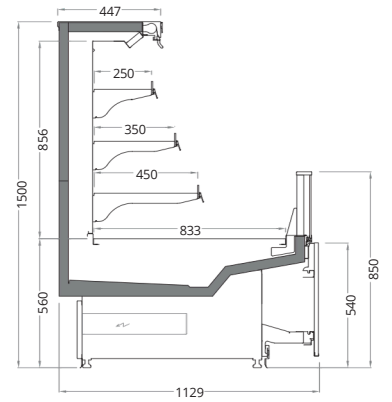
NIVO GG 830/1200/1129/540-SQ-AA-NC

Length mm | 1250 | 1875 | 2500 | 3750



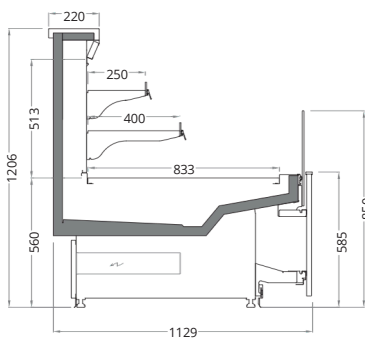
NIVO GG 830/1220/1129/540-SQ-AA

Length mm | 1250 | 1875 | 2500 | 3750



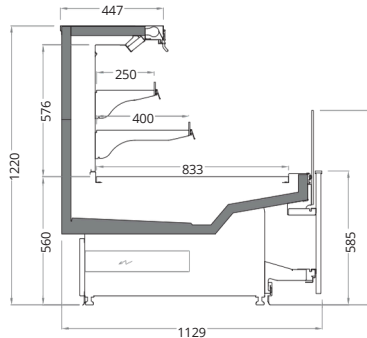
NIVO GG 830/1500/1129/540-SQ-AA

Length mm | 1250 | 1875 | 2500 | 3750



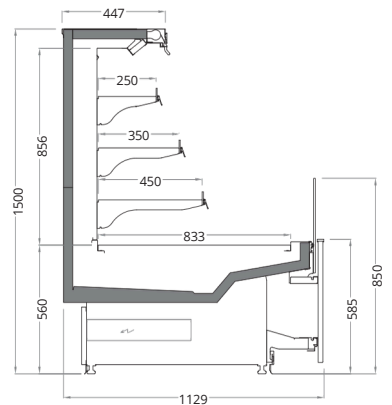
NIVO GG 830/1200/1129/585-SQ-D-NC

Length mm | 1250 | 1875 | 2500 | 3750



NIVO GG 830/1220/1129/585-SQ-D

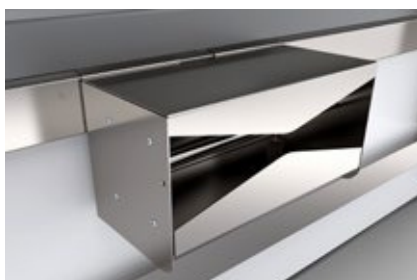
Length mm | 1250 | 1875 | 2500 | 3750



NIVO GG 830/1500/1129/585-SQ-D

Length mm | 1250 | 1875 | 2500 | 3750

ACCESSORIES



BAG DISPENSER



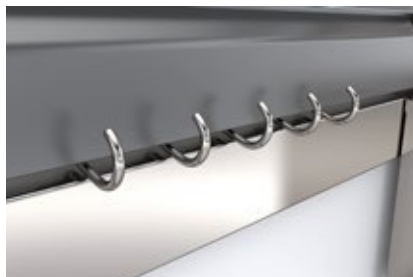
BIN



CUTTING BOARD



KNIFE HOLDER



PICK A BAG HOOKS



SCALE PLATFORM



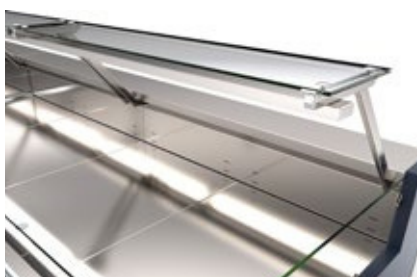
PRODUCT DIVIDER



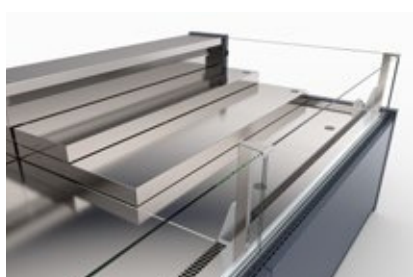
MODUL DIVIDER



SLIDING REAR DOOR



REAR ARM WITH GLASS

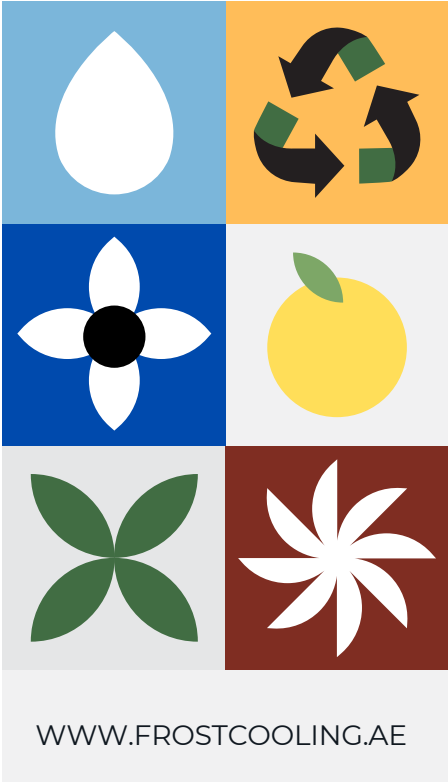


STEPPED DECK



STAINLESS STEEL BUMPRAIL

WHERE QUALITY MEETS RELIABILITY



FROST COOLING TRADING
SALES: +971 58 553 8232
OFFICE: +971 58 520 5232
EMAIL: SALES@FROSTCOOLING.AE