

Dimensions

L(mm) :	1155	H(mm) :	465	W2(mm) :	310	W1(mm) :	430
---------	------	---------	-----	----------	-----	----------	-----

Performance Data

Capacity	2,770.18 Watt	Heat Transfer Surface	11.32 m ²
Average Room Temperature	0.00 °C	Tube Volume	3.99 dm ³
Evaporation Temperature	-8.00 °C	Fin Spacing	8 mm
ΔT	8 K	Test Pressure / Max. Operating Pressure	34/22 bar
Refrigerant	RI34A (GWP: 1430)	Energy Efficiency Class	C
Altitude	0 m	Air Throw Distance	9 m

Evaporator Fan Data

Air Flow	3050 m ³ /h	Fan Protection / Isolation Class	IP 44 / Class B
Number of Fans / Fan Diameter / Fan Speed	2 / 300 mm / 1380 rpm	Operating Temperature Range	70
Nominal Total Power / Current	0.124 kW / 0.56 A	Sound Power Level (LWA)	63 dBA
Fan Voltage / Fan Frequency / Fan Phase	230 Volt / 50 Hz / 1 Ph	Sound Pressure Level (LPA)	41 dBA @ 3 m
Fan Arrangement	1x2		

Configuration

Configuration Name

Code

Fan Option	With EBM Fan	-
Casing Type	ESB Painted Galvanized Steel	-
Fin Material	Aluminum	-
Defrost Type	E2 Defrost [Coil+Pan]	-

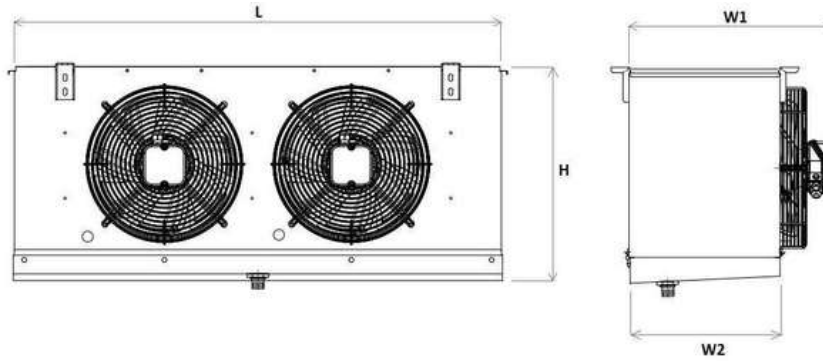
Notes.

- Fan data are reference and may vary by brand and model.
- Sound pressure calculation standard: EN13487
- Energy Efficiency Class calculation standards: EN328 and Related Eurovent Standard. Standard Conditions: SC2,R404A
- All of the technical information is subject to change without notice.
- All of the performance and technical data according to default configuration.

FROST COOLING TRADING LLC

Location: European Business Center, 3rd Floor, Office No. BC-26, DIP 1, Dubai, U.A.E

Telephone: +971-585205232 Email: sales@frostcooling.ae



Dimensions							
L(mm) :	1155	H(mm) :	465	W2(mm) :	310	W1(mm) :	430

Performance Data			
Capacity	2,947.00 Watt	Heat Transfer Surface	11,32 m ²
Average Room Temperature	0.00 °C	Tube Volume	3,99 dm ³
Evaporation Temperature	-8.00 °C	Fin Spacing	8 mm
ΔT	8 K	Test Pressure / Max. Operating Pressure	34 /22 bar
Refrigerant	R404A (GWP: 3922)	Energy Efficiency Class	C
Altitude	0 m	Air Throw Distance	9 m

Evaporator Fan Data			
Air Flow	3050 m ³ /h	Fan Protection / Isolation Class	IP 44 / Class B
Number of Fans / Fan Diameter / Fan Speed	2 / 300 mm / 1380 rmp	Operating Temperature Range	70
Nominal Total Power / Current	0.124 kW / 0.56 A	Sound Power Level (LWA)	63 dBA
Fan Voltage / Fan Frequency / Fan Phase	230 Volt / 50 Hz / 1 Ph	Sound Pressure Level (LPA)	41 dBA @ 3 m
Fan Arrangement	1x2		

Configuration	Configuration Name	Code
Fan Option	With EBM Fan	-
Casing Type	ESB Painted Galvanized Steel	-
Fin Material	Aluminum	-
Defrost Type	E2 Defrost [Coil+Pan]	-

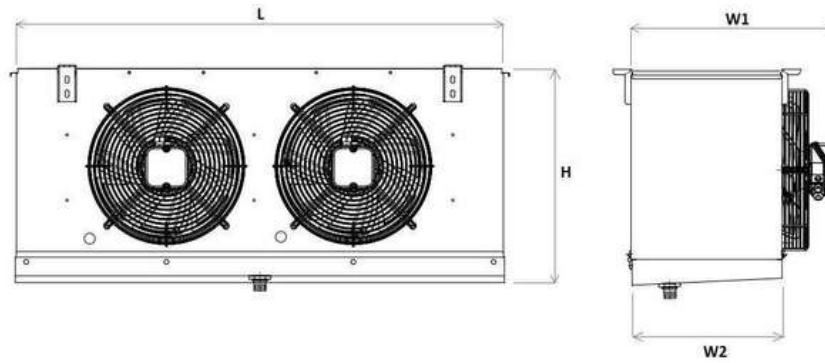
Notes.

- Fan data are reference and may vary by brand and model.
- Sound pressure calculation standard: EN13487
- Energy Efficiency Class calculation standards: EN328 and Related Eurovent Standard. Standard Conditions: SC2,R404A
- All of the technical information is subject to change without notice.
- All of the performance and technical data according to default configuration.

FROST COOLING TRADING LLC

Location: European Business Center, 3rd Floor, Office No. BC-26, DIP 1, Dubai, U.A.E

Telephone: +971-585205232 Email: sales@frostcooling.ae



Dimensions					
L(mm) :	1155	H(mm) :	465	W2(mm) :	310
				W1(mm) :	430

Performance Data			
Capacity	2,246.00 Watt	Heat Transfer Surface	11.32 m ²
Average Room Temperature	-18.00 °C	Tube Volume	3.99 dm ³
Evaporation Temperature	-25.00 °C	Fin Spacing	8 mm
ΔT	7 K	Test Pressure / Max. Operating Pressure	34 /22 bar
Refrigerant	R404A (GWP: 3922)	Energy Efficiency Class	C
Altitude	0 m	Air Throw Distance	9 m

Evaporator Fan Data			
Air Flow	3050 m ³ /h	Fan Protection / Isolation Class	IP 44 / Class B
Number of Fans / Fan Diameter / Fan Speed	2 / 300 mm / 1380 rpm	Operating Temperature Range	70
Nominal Total Power / Current	0.124 kW / 0.56 A	Sound Power Level (LWA)	63 dBA
Fan Voltage / Fan Frequency / Fan Phase	230 Volt / 50 Hz / 1 Ph	Sound Pressure Level (LPA)	41 dBA @ 3 m
Fan Arrangement	1x2		

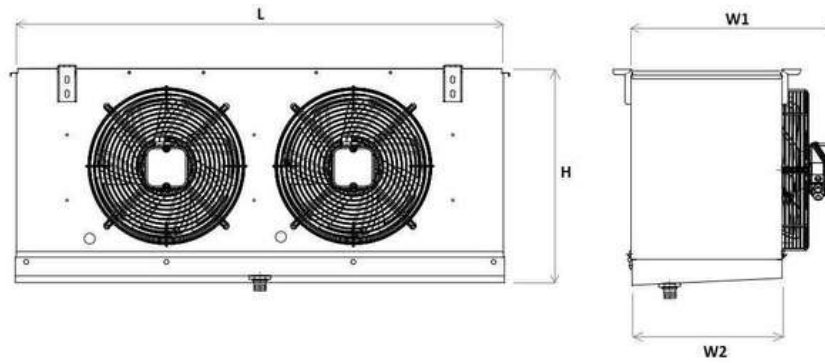
Configuration	Configuration Name	Code
Fan Option	With EBM Fan	-
Casing Type	ESB Painted Galvanized Steel	-
Fin Material	Aluminum	-
Defrost Type	E2 Defrost [Coil+Pan]	-

- Notes.
- Fan data are reference and may vary by brand and model.
 - Sound pressure calculation standard: EN13487
 - Energy Efficiency Class calculation standards: EN328 and Related Eurovent Standard. Standard Conditions: SC2,R404A
 - All of the technical information is subject to change without notice.
 - All of the performance and technical data according to default configuration.

FROST COOLING TRADING LLC

Location: European Business Center, 3rd Floor, Office No. BC-26, DIP 1, Dubai, U.A.E

Telephone: +971-585205232 Email: sales@frostcooling.ae



Dimensions							
L(mm) :	1155	H(mm) :	465	W2(mm) :	310	W1(mm) :	430

Performance Data			
Capacity	1,864.18 Watt	Heat Transfer Surface	11.32 m ²
Average Room Temperature	-18.00 °C	Tube Volume	3.99 dm ³
Evaporation Temperature	-25.00 °C	Fin Spacing	8 mm
ΔT	7 K	Test Pressure / Max. Operating Pressure	34 /22 bar
Refrigerant	RI34A (GWP: 1430)	Energy Efficiency Class	C
Altitude	0 m	Air Throw Distance	9 m

Evaporator Fan Data			
Air Flow	3050 m ³ /h	Fan Protection / Isolation Class	IP 44 / Class B
Number of Fans / Fan Diameter / Fan Speed	2 / 300 mm / 1380 rpm	Operating Temperature Range	70
Nominal Total Power / Current	0.124 kW / 0.56 A	Sound Power Level (LWA)	63 dBA
Fan Voltage / Fan Frequency / Fan Phase	230 Volt / 50 Hz / 1 Ph	Sound Pressure Level (LPA)	41 dBA @ 3 m
Fan Arrangement	1x2		

Configuration	Configuration Name	Code
Fan Option	With EBM Fan	-
Casing Type	ESB Painted Galvanized Steel	-
Fin Material	Aluminum	-
Defrost Type	E2 Defrost [Coil+Pan]	-

- Notes.
- Fan data are reference and may vary by brand and model.
 - Sound pressure calculation standard: EN13487
 - Energy Efficiency Class calculation standards: EN328 and Related Eurovent Standard. Standard Conditions: SC2,R404A
 - All of the technical information is subject to change without notice.
 - All of the performance and technical data according to default configuration.

FROST COOLING TRADING LLC

Location: European Business Center, 3rd Floor, Office No. BC-26, DIP 1, Dubai, U.A.E

Telephone: +971-585205232 Email: sales@frostcooling.ae