

**Dimensions**

L(mm) :	1155	H(mm) :	465	W2(mm) :	375	W1(mm) :	495
---------	------	---------	-----	----------	-----	----------	-----

**Performance Data**

Capacity	3,775.98 Watt	Heat Transfer Surface	16.98 m <sup>2</sup>
Average Room Temperature	0.00 °C	Tube Volume	5.98 dm <sup>3</sup>
Evaporation Temperature	-8.00 °C	Fin Spacing	8 mm
ΔT	8 K	Test Pressure / Max. Operating Pressure	34 /22 bar
Refrigerant	RI34A (GWP: 1430)	Energy Efficiency Class	B
Altitude	0 m	Air Throw Distance	8 m

**Evaporator Fan Data**

Air Flow	2800 m <sup>3</sup> /h	Fan Protection / Isolation Class	IP 44 / Class B
Number of Fans / Fan Diameter / Fan Speed	2 / 300 mm / 1380 rpm	Operating Temperature Range	70
Nominal Total Power / Current	0.124 kW / 0.56 A	Sound Power Level (LWA)	63 dBA
Fan Voltage / Fan Frequency / Fan Phase	230 Volt / 50 Hz / 1 Ph	Sound Pressure Level (LPA)	41 dBA @ 3 m
Fan Arrangement	1x2		

Configuration	Configuration Name	Code
Fan Option	With EBM Fan	-
Casing Type	ESB Painted Galvanized Steel	-
Fin Material	Aluminum	-
Defrost Type	E2 Defrost [Coil+Pan]	-

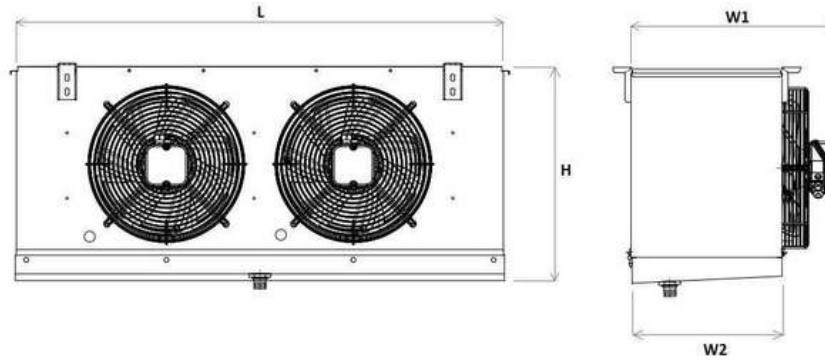
**Notes.**

- Fan data are reference and may vary by brand and model.
- Sound pressure calculation standard: EN13487
- Energy Efficiency Class calculation standards: EN328 and Related Eurovent Standard. Standard Conditions: SC2,R404A
- All of the technical information is subject to change without notice.
- All of the performance and technical data according to default configuration.

**FROST COOLING TRADING LLC**

Location: European Business Center, 3rd Floor, Office No. BC-26, DIP 1, Dubai, U.A.E

Telephone: +971-585205232 Email: sales@frostcooling.ae



**Dimensions**

L(mm) :	1155	H(mm) :	465	W2(mm) :	375	W1(mm) :	495
---------	------	---------	-----	----------	-----	----------	-----

**Performance Data**

Capacity	4,017.00 Watt	Heat Transfer Surface	16.98 m <sup>2</sup>
Average Room Temperature	0.00 °C	Tube Volume	5.98 dm <sup>3</sup> 8
Evaporation Temperature	-8.00 °C	Fin Spacing	mm 34 /22
ΔT	8 K	Test Pressure / Max. Operating Pressure	bar B 8 m
Refrigerant	R404A (GWP: 3922)	Energy Efficiency Class	
Altitude	0 m	Air Throw Distance	

**Evaporator Fan Data**

Air Flow	2800 m <sup>3</sup> /h	Fan Protection / Isolation Class	IP 44 / Class B
Number of Fans / Fan Diameter / Fan Speed	2 / 300 mm / 1380 rpm	Operating Temperature Range	70
Nominal Total Power / Current	0.124 kW / 0.56 A	Sound Power Level (LWA)	63 dBA
Fan Voltage / Fan Frequency / Fan Phase	230 Volt / 50 Hz / 1 Ph	Sound Pressure Level (LPA)	41 dBA @ 3 m
Fan Arrangement	1x2		

**Configuration**

**Configuration Name**

**Code**

Fan Option	With EBM Fan	-
Casing Type	ESB Painted Galvanized Steel	-
Fin Material	Aluminum	-
Defrost Type	E2 Defrost [Coil+Pan]	-

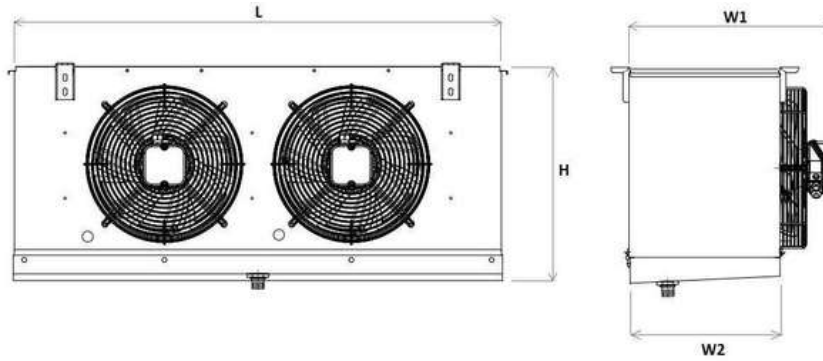
**Notes.**

- Fan data are reference and may vary by brand and model.
- Sound pressure calculation standard: EN13487
- Energy Efficiency Class calculation standards: EN328 and Related Eurovent Standard. Standard Conditions: SC2,R404A
- All of the technical information is subject to change without notice.
- All of the performance and technical data according to default configuration.

**FROST COOLING TRADING LLC**

Location: European Business Center, 3rd Floor, Office No. BC-26, DIP 1, Dubai, U.A.E

Telephone: +971-585205232 Email: sales@frostcooling.ae



#### Dimensions

L(mm) :	1155	H(mm) :	465	W2(mm) :	375	W1(mm) :	495
---------	------	---------	-----	----------	-----	----------	-----

#### Performance Data

Capacity	2,845.00 Watt	Heat Transfer Surface	16.98 m <sup>2</sup>
Average Room Temperature	-18.00 °C	Tube Volume	5.98 dm <sup>3</sup>
Evaporation Temperature	-25.00 °C	Fin Spacing	8 mm
ΔT	7 K	Test Pressure / Max. Operating Pressure	34 /22 bar
Refrigerant	R404A (GWP: 3922)	Energy Efficiency Class	B
Altitude	0 m	Air Throw Distance	8 m

#### Evaporator Fan Data

Air Flow	2800 m <sup>3</sup> /h	Fan Protection / Isolation Class	IP 44 / Class B
Number of Fans / Fan Diameter / Fan Speed	2 / 300 mm / 1380 rpm	Operating Temperature Range	70
Nominal Total Power / Current	0.124 kW / 0.56 A	Sound Power Level (LWA)	63 dBA
Fan Voltage / Fan Frequency / Fan Phase	230 Volt / 50 Hz / 1 Ph	Sound Pressure Level (LPA)	41 dBA @ 3 m
Fan Arrangement	1x2		

#### Configuration

#### Configuration Name

#### Code

Fan Option	With EBM Fan	-
Casing Type	ESB Painted Galvanized Steel	-
Fin Material	Aluminum	-
Defrost Type	E2 Defrost [Coil+Pan]	-

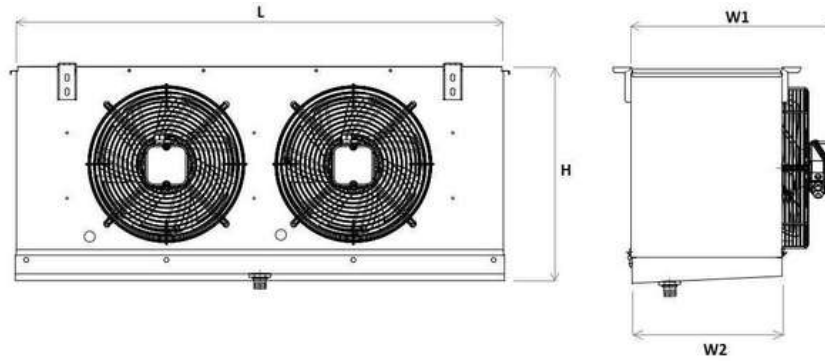
#### Notes.

- Fan data are reference and may vary by brand and model.
- Sound pressure calculation standard: EN13487
- Energy Efficiency Class calculation standards: EN328 and Related Eurovent Standard. Standard Conditions: SC2,R404A
- All of the technical information is subject to change without notice.
- All of the performance and technical data according to default configuration.

### FROST COOLING TRADING LLC

Location: European Business Center, 3rd Floor, Office No. BC-26, DIP 1, Dubai, U.A.E

Telephone: +971-585205232 Email: sales@frostcooling.ae



Dimensions					
L(mm) :	1155	H(mm) :	465	W2(mm) :	375
				W1(mm) :	495

Performance Data			
Capacity	2,361.35 Watt	Heat Transfer Surface	16,98 m <sup>2</sup>
Average Room Temperature	-18.00 °C	Tube Volume	5,98 dm <sup>3</sup>
Evaporation Temperature	-25.00 °C	Fin Spacing	8 mm
ΔT	7 K	Test Pressure / Max. Operating Pressure	34 /22 bar
Refrigerant	R134A (GWP: 1430)	Energy Efficiency Class	B
Altitude	0 m	Air Throw Distance	8 m

Evaporator Fan Data			
Air Flow	2800 m <sup>3</sup> /h	Fan Protection / Isolation Class	IP 44 / Class B
Number of Fans / Fan Diameter / Fan Speed	2 / 300 mm / 1380 rpm	Operating Temperature Range	70
Nominal Total Power / Current	0.124 kW / 0.56 A	Sound Power Level (LWA)	63 dBA
Fan Voltage / Fan Frequency / Fan Phase	230 Volt / 50 Hz / 1 Ph	Sound Pressure Level (LPA)	41 dBA @ 3 m
Fan Arrangement	1x2		

Configuration	Configuration Name	Code
Fan Option	With EBM Fan	-
Casing Type	ESB Painted Galvanized Steel	-
Fin Material	Aluminum	-
Defrost Type	E2 Defrost [Coil+Pan]	-

- Notes.
- Fan data are reference and may vary by brand and model.
  - Sound pressure calculation standard: EN13487
  - Energy Efficiency Class calculation standards: EN328 and Related Eurovent Standard. Standard Conditions: SC2,R404A
  - All of the technical information is subject to change without notice.
  - All of the performance and technical data according to default configuration.

**FROST COOLING TRADING LLC**

Location: European Business Center, 3rd Floor, Office No. BC-26, DIP 1, Dubai, U.A.E

Telephone: +971-585205232 Email: sales@frostcooling.ae