

Dimensions

L(mm) :	1505	H(mm) :	635	W2(mm) :	375	W1(mm) :	515
---------	------	---------	-----	----------	-----	----------	-----

Performance Data

Capacity	6,665.83 Watt	Heat Transfer Surface	25,752636 m ²
Average Room Temperature	0.00 °C	Tube Volume	9,07281648 dm ³
Evaporation Temperature	-8.00 °C	Fin Spacing	8 mm
ΔT	8 K	Test Pressure / Max. Operating Pressure	34 /22 bar
Refrigerant	R134A (GWP: 1430)	Energy Efficiency Class	C
Altitude	0 m	Air Throw Distance	14 m

Evaporator Fan Data

Air Flow	7380 m ³ /h	Fan Protection / Isolation Class	IP 44 / Class B
Number of Fans / Fan Diameter / Fan Speed	2 / 400 mm / 1430 rpm	Operating Temperature Range	60
Nominal Total Power / Current	0.32 kW / 1.46 A	Sound Power Level (LWA)	77 dBA
Fan Voltage / Fan Frequency / Fan Phase	230 Volt / 50 Hz / 1 Ph	Sound Pressure Level (LPA)	55 dBA @ 3 m
Fan Arrangement	1x2		

Configuration	Configuration Name	Code
Fan Option	With EBM Fan	-
Casing Type	ESB Painted Galvanized Steel	-
Fin Material	Aluminum	-
Defrost Type	E2 Defrost [Coil+Pan]	-

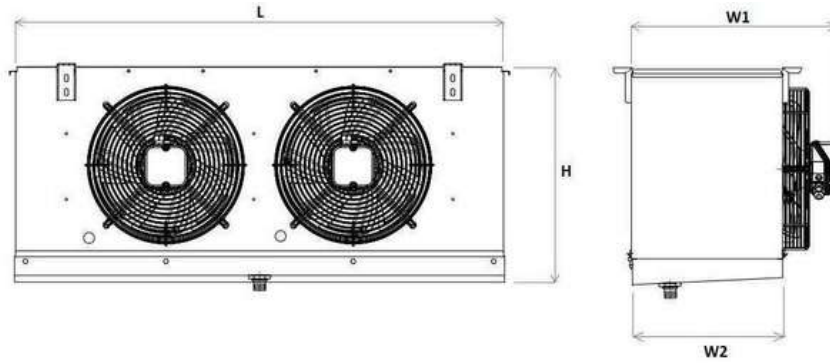
Notes.

- Fan data are reference and may vary by brand and model.
- Sound pressure calculation standard: EN13487
- Energy Efficiency Class calculation standards: EN328 and Related Eurovent Standard. Standard Conditions: SC2,R404A
- All of the technical information is subject to change without notice.
- All of the performance and technical data according to default configuration.

FROST COOLING TRADING LLC

Location: European Business Center, 3rd Floor, Office No. BC-26, DIP 1, Dubai, U.A.E

Telephone: +971-585205232 Email: sales@frostcooling.ae



Dimensions

L(mm) :	1505	H(mm) :	635	W2(mm) :	375	W1(mm) :	515
---------	------	---------	-----	----------	-----	----------	-----

Performance Data

Capacity	7,091.30 Watt	Heat Transfer Surface	25,752636 m ²
Average Room Temperature	0.00 °C	Tube Volume	9,07281648 dm ³
Evaporation Temperature	-8.00 °C	Fin Spacing	8 mm
ΔT	8 K	Test Pressure / Max. Operating Pressure	34 /22 bar
Refrigerant	R404A (GWP: 3922)	Energy Efficiency Class	C
Altitude	0 m	Air Throw Distance	14 m

Evaporator Fan Data

Air Flow	7380 m ³ /h	Fan Protection / Isolation Class	IP 44 / Class B
Number of Fans / Fan Diameter / Fan Speed	2 / 400 mm / 1430 rpm	Operating Temperature Range	60
Nominal Total Power / Current	0.32 kW / 1.46 A	Sound Power Level (LWA)	77 dBA
Fan Voltage / Fan Frequency / Fan Phase	230 Volt / 50 Hz / 1 Ph	Sound Pressure Level (LPA)	55 dBA @ 3 m
Fan Arrangement	1x2		

Configuration	Configuration Name	Code
Fan Option	With EBM Fan	-
Casing Type	ESB Painted Galvanized Steel	-
Fin Material	Aluminum	-
Defrost Type	E2 Defrost [Coil+Pan]	-

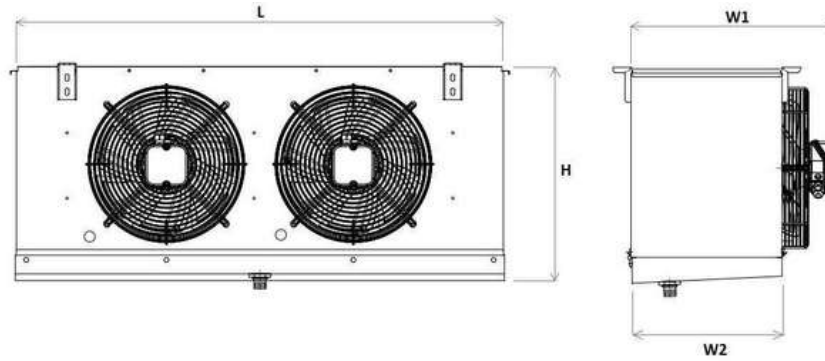
Notes.

- Fan data are reference and may vary by brand and model.
- Sound pressure calculation standard: EN13487
- Energy Efficiency Class calculation standards: EN328 and Related Eurovent Standard. Standard Conditions: SC2,R404A
- All of the technical information is subject to change without notice.
- All of the performance and technical data according to default configuration.

FROST COOLING TRADING LLC

Location: European Business Center, 3rd Floor, Office No. BC-26, DIP 1, Dubai, U.A.E

Telephone: +971-585205232 Email: sales@frostcooling.ae



Dimensions							
L(mm) :	1505	H(mm) :	635	W2(mm) :	375	W1(mm) :	515

Performance Data			
Capacity Average Room	5,034.78 Watt	Heat Transfer Surface	25,752636 m ²
Temperature	-18.00 °C	Tube Volume	9,07281648 dm ³
Evaporation Temperature	-25.00 °C	Fin Spacing	8 mm
ΔT	7 K	Test Pressure / Max. Operating Pressure	34 / 22 bar
Refrigerant	R404A (GWP: 3922)	Energy Efficiency Class	C
Altitude	0 m	Air Throw Distance	14 m

Evaporator Fan Data			
Air Flow	7380 m ³ /h	Fan Protection / Isolation Class	IP 44 / Class B
Number of Fans / Fan Diameter / Fan Speed	2 / 400 mm / 1430 rpm	Operating Temperature Range	60
Nominal Total Power / Current	0.32 kW / 1.46 A	Sound Power Level (LWA)	77 dBA
Fan Voltage / Fan Frequency / Fan Phase	230 Volt / 50 Hz / 1 Ph	Sound Pressure Level (LPA)	55 dBA @ 3 m
Fan Arrangement	1x2		

Configuration	Configuration Name	Code
Fan Option	With EBM Fan	-
Casing Type	ESB Painted Galvanized Steel	-
Fin Material	Aluminum	-
Defrost Type	E2 Defrost [Coil+Pan]	-

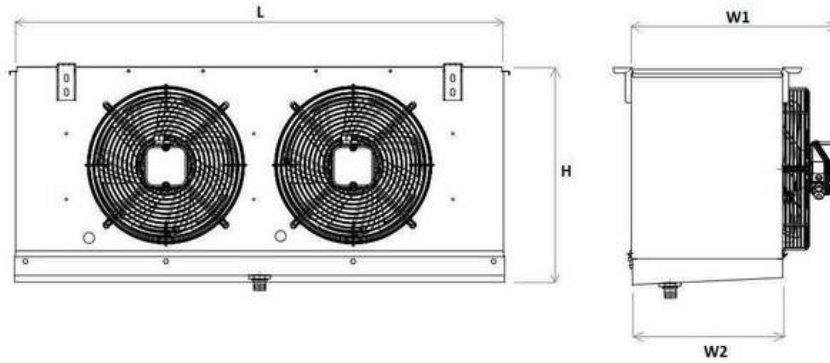
Notes.

- Fan data are reference and may vary by brand and model.
- Sound pressure calculation standard: EN13487
- Energy Efficiency Class calculation standards: EN328 and Related Eurovent Standard. Standard Conditions: SC2,R404A
- All of the technical information is subject to change without notice.
- All of the performance and technical data according to default configuration.

FROST COOLING TRADING LLC

Location: European Business Center, 3rd Floor, Office No. BC-26, DIP 1, Dubai, U.A.E

Telephone: +971-585205232 Email: sales@frostcooling.ae



Dimensions

L(mm) :	1505	H(mm) :	635	W2(mm) :	375	W1(mm) :	515
---------	------	---------	-----	----------	-----	----------	-----

Performance Data

Capacity	4,178.87 Watt	Heat Transfer Surface	25,752636 m ²
Average Room Temperature	-18.00 °C	Tube Volume	9,07281648 dm ³
Evaporation Temperature	-25.00 °C	Fin Spacing	8 mm
ΔT	7 K	Test Pressure / Max. Operating Pressure	34 /22 bar
Refrigerant	R134A (GWP: 1430)	Energy Efficiency Class	C
Altitude	0 m	Air Throw Distance	14 m

Evaporator Fan Data

Air Flow	7380 m ³ /h	Fan Protection / Isolation Class	IP 44 / Class B
Number of Fans / Fan Diameter / Fan Speed	2 / 400 mm / 1430 rpm	Operating Temperature Range	60
Nominal Total Power / Current	0.32 kW / 1.46 A	Sound Power Level (LWA)	77 dBA
Fan Voltage / Fan Frequency / Fan Phase	230 Volt / 50 Hz / 1 Ph	Sound Pressure Level (LPA)	55 dBA @ 3 m
Fan Arrangement	1x2		

Configuration	Configuration Name	Code
Fan Option	With EBM Fan	-
Casing Type	ESB Painted Galvanized Steel	-
Fin Material	Aluminum	-
Defrost Type	E2 Defrost [Coil+Pan]	-

Notes.

- Fan data are reference and may vary by brand and model.
- Sound pressure calculation standard: EN13487
- Energy Efficiency Class calculation standards: EN328 and Related Eurovent Standard. Standard Conditions: SC2,R404A
- All of the technical information is subject to change without notice.
- All of the performance and technical data according to default configuration.

FROST COOLING TRADING LLC

Location: European Business Center, 3rd Floor, Office No. BC-26, DIP 1, Dubai, U.A.E

Telephone: +971-585205232 Email: sales@frostcooling.ae