



ZEST 800 SS PL

SELF - SERVICE INTEGRAL COUNTER





ZEST 800 SS PL

SELF - SERVICE INTEGRAL COUNTER

Benefits & Specifications:

- High product visibility
- Stand out features for concept building
- Small footprint with compact design
- Easy access and ergonomic design
- Adds dynamic perspective
- Easily adaptable to changes of product

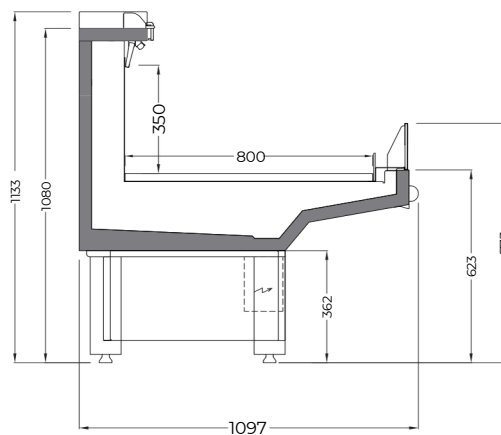
Dimensions (mm):

Height : 1133
Length : 1250
Depth : 1100

SYSTEM	OPERATING TEMP. °C	REFRIGERANT
PLUG-IN	-1 / +1 +2 / +4	HC HFC blend HFC / HFO blend

HC: R290 / R1270 • HFC: R407A / R407F / R134A / R404A • HFC / HFO: R448A / R449A / R452A / R450A

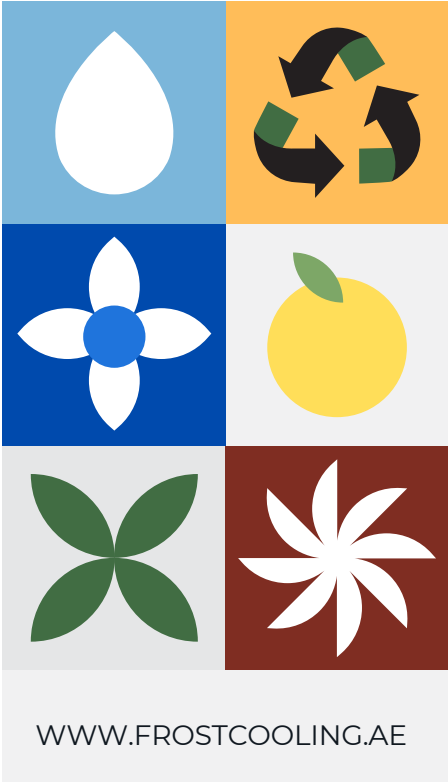
TECHNICAL DATA



ZEST 800 SS PL

Length mm | 1250

WHERE QUALITY MEETS RELIABILITY



FROST COOLING TRADING
SALES: +971 58 553 8232
OFFICE: +971 58 520 5232
EMAIL: SALES@FROSTCOOLING.AE